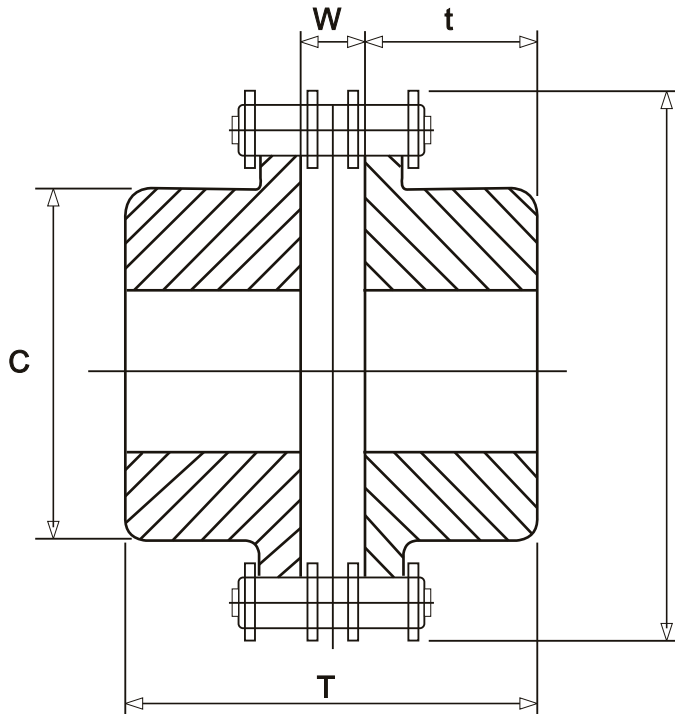
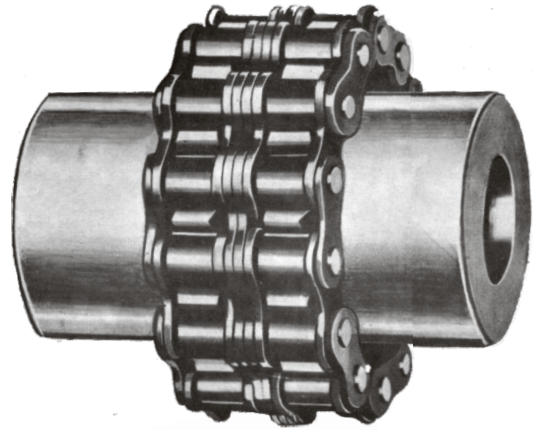


Without cover



With cover

COUPLING NO.	ASA No.	BORE		T	t	W	C	D	Wt.Kg.
		MIN	MAX						
6112	3812	10.00	16	65	30	5.0	27	45	0.30
8312	4012	10.00	22	79	36	7.0	35	60	0.80
8316	4016	12.00	32	79	36	7.0	50	77	1.60
1016	5016	16	42	96	44	8.0	61	96	2.60
1018	5018	16	48	98	45	8.0	71	106	3.50
1218	6018	20	60	121	56	9.0	88	126	6.5
1222	6022	20	76	121	56	9.0	110	150	10.0

COUPLING NO.	ASA No.	BORE		T	t	W	C	D	Wt.Kg.
		MIN	MAX						
1618	8018	25	80	150	67	16	115	170	14.5
1622	8022	25	95	150	67	16	140	201	20.0
2020	10020	40	110	200	91	18	157	231	33.5
2418	12018	50	119	260	118	24	169	254	51.0
2422	12022	50	150	260	118	24	208	301	76.0
3218	16018	50	160	360	165	30	220	341	121.0
3222	16022	50	199	360	165	30	280	410	210.0
4018	20018	60	205	517	240	37	295	425	320.0
4022	20022	60	260	517	240	37	373	507	470.0

## B.V. Transmission Industries

Unit 18 , Khyati Industrial Estate,  
Laxmi Nagar, Link Road , Goregaon West,  
Mumbai - 400104, Maharashtra , India

Tel : +91- 22-28762345  
Tel : +91- 22-28767941  
: +91- 93247 18035  
: +91- 98206 92004

email :: sales@bvchains.com  
bvchain@gmail.com  
web:: www.bvchains.com