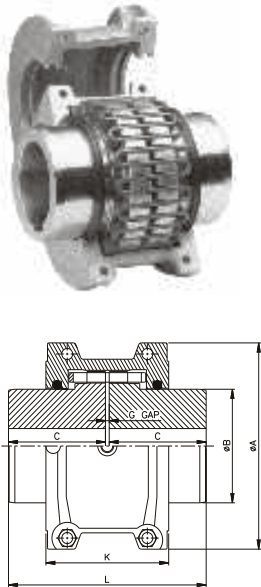


BVRG Coupling



BVRG Coupling

All dimension in mm

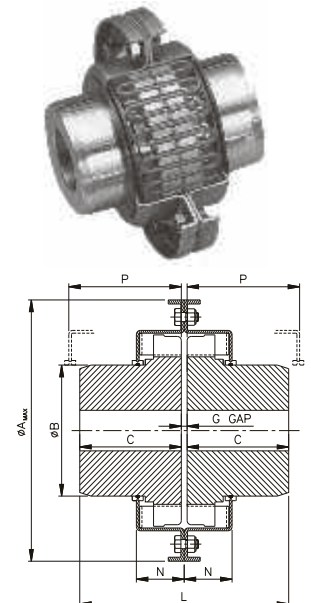
Coupling Size	KW at 100 rpm	Basic Torque (Nm)	Max. Speed (rpm)	Bore Dia (mm)		Dimensions (mm)					Gap (mm)	Lube weight (Kg)	Weight In (kg)
				Min.	Max.	ØA	ØB	C	K	L			
1020	0.50	48	4500	13.0	30	101.5	39.7	47.5	66.5	98.0	3	0.03	1.9
1030	1.42	136	4500	13.0	36	110.0	49.2	47.5	68.0	98.0	3	0.03	2.6
1040	2.36	226	4500	13.0	44	117.5	57.1	51.0	70.0	104.5	3	0.05	3.4
1050	4.14	395	4500	13.0	51	138.0	66.7	60.0	79.5	123.5	3	0.05	5.4
1060	6.50	621	4350	19.5	57	150.5	76.2	63.5	92.0	130.0	3	0.09	7.3
1070	9.46	903	4125	19.5	68	162.0	87.3	76.0	95.0	155.5	3	0.11	10
1080	19.51	1863	3600	27.0	82	194.0	104.8	89.0	116.0	181.0	3	0.17	18
1090	35.47	3387	3600	27.0	95	213.0	123.8	98.5	122.0	200.0	3	0.25	25
1100	59.71	5702	2400	41.5	110	250.0	142.0	120.5	155.5	245.5	4.5	0.43	42
1110	88.67	8468	2250	41.5	120	270.0	160.3	127.0	161.5	258.5	4.5	0.51	54
1120	130.05	12420	2025	60.5	140	308.0	179.4	149.5	191.5	304.5	6	0.73	81
1130	189.17	18066	1800	66.5	170	346.0	217.5	162.0	195.0	330.0	6	0.91	121
1140	271.93	25969	1650	66.5	200	384.0	254.0	183.0	201.0	371.5	6	1.13	178
1150	378.34	36131	1500	108.0	215	453.0	269.2	183.0	271.0	372.0	6	1.95	234
1160	532.04	50810	1350	120.5	240	501.5	304.8	198.0	279.0	402.0	6	2.81	317
1170	709.38	67746	1225	133.5	280	566.5	355.6	216.0	304.0	438.0	6	3.49	448
1180	983.68	93941	1100	152.5	300	630.0	393.7	239.0	321.0	483.5	6	3.76	619
1190	1300.53	124201	1050	152.5	335	675.5	436.9	259.0	325.0	524.5	6	4.40	776
1200	1773.46	169365	900	179.0	360	757.0	497.8	279.5	355.5	565.0	6	5.62	1058
1210	2605.47	248822	820	178.0	390	844.5	533.4	305.0	432.0	622.5	12.7	10.5	1424
1220	3515.89	335768	730	203.0	420	920.5	571.5	325.1	490.0	663.0	12.7	16.1	1785

BVRV Coupling

All dimension in mm

Coupling Size	KW at 100 RPM	Basic Torque (Nm)	Max. Speed (rpm)	Bore Dia (mm)		Dimensions (mm)						Gap (mm)	Lube weight (Kg)	Weight In (kg)
				Min.	Max.	ØA	ØB	C	L	N	P			
1020	0.50	48	6000	13.0	30	111.0	39.7	47.5	98.0	24.0	47.5	3	0.03	2.0
1030	1.40	134	6000	13.0	36	121.0	49.2	47.5	98.0	25.0	47.5	3	0.03	2.6
1040	2.30	219	6000	13.0	44	128.5	57.1	51.0	104.5	25.5	51.0	3	0.05	3.4
1050	4.10	391	6000	13.0	51	147.5	66.7	60.5	123.5	31.0	60.5	3	0.05	5.4
1060	6.49	620	6000	19.0	57	162.0	76.2	63.5	130.0	32.0	63.5	3	0.09	7.3
1070	9.39	897	5500	19.0	68	173.0	87.3	76.0	155.5	33.5	76.0	3	0.11	10.4
1080	19.48	1860	4750	27.0	82	200.0	104.8	89.0	181.0	44.0	89.0	3	0.17	17.7
1090	34.96	3339	4000	27.0	95	232.0	123.8	98.5	200.0	47.5	98.5	3	0.25	25.4
1100	59.44	5676	3250	41.5	110	267.0	142.0	120.5	245.5	60.0	120.5	4.5	0.43	42.2
1110	87.90	8395	3000	41.5	120	286.0	160.3	127.0	258.5	64.0	127.0	4.5	0.51	54.4
1120	129.86	12401	2700	60.5	140	319.0	179.4	149.0	304.5	73.5	149.0	6	0.73	81.6
1130	188.79	18030	2400	67.0	170	378.0	217.5	162.0	330.0	75.0	162.0	6	0.91	122.5
1140	271.70	25948	2200	67.0	200	416.0	254.0	183.0	371.5	78.0	183.0	6	1.13	180.1
1150	378.59	36155	2000	108.0	215	476.5	269.2	183.0	372.0	107.0	183.0	6	1.95	230.0
1160	532.04	50810	1750	121.0	240	533.5	304.8	198.0	402.0	114.5	198.0	6	2.81	321.1
1170	709.38	67746	1600	133.5	280	584.0	355.6	216.0	438.0	120.0	216.0	6	3.49	448.2
1180	983.68	93941	1400	152.5	300	630.0	393.7	239.0	483.5	130.0	239.0	6	3.76	591.0
1190	1300.53	124201	1300	152.5	335	685.0	436.9	260.0	524.0	135.0	259.0	6	4.40	761.0
1200	1773.46	169365	1100	178.0	360	737.0	497.8	279.5	565.0	145.0	279.5	6	5.62	1021.0

BVRV Coupling



Selection Procedure

1. Select appropriate service factor F.
2. Calculate coupling Torque T (Knm)
 $T = 9.55 \times kW \times F$
3. Select coupling with the same or higher Torque.
4. Check hub bore capacity.
5. Check allowable speed.

Where kW = Drive rated power (kW)
N = Speed (rev./min)

B.V. Transmission Industries

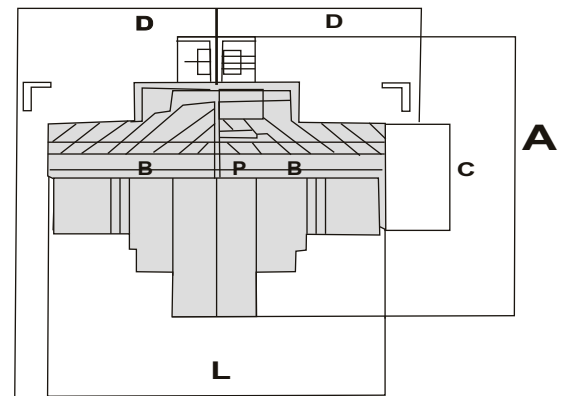
Unit 18 , Khyati Industrial Estate,
Laxmi Nagar, Link Road , Goregaon West,
Mumbai - 400104, Maharashtra , India

Tel : +91- 22-28762345
Tel : +91- 22-28767941
: +91- 93247 18035
: +91- 98206 92004

email :: sales@bvchains.com
bvchain@gmail.com
web:: www.bvchains.com

Applications

- Cement mills: Crushers and grinding machines.
- Steel mills: Coilers, cold mills, hot mills etc.
- Paper mills: Calendar, couch roll, suction roll, dryer drives etc.
- Sugar mills: Cane carrier and leveler, cane knife and crusher.
- General: Agitators, Blowers, conveyors, cranes etc.



X = Horizontal Z= Vertical

Size	Kw at 100 rpm	Max. Speed		Bore		Dimensions							Weight Kg.	
						A		B	C	L	D	P		
						z	x						Pilot	Max.
BVGD - 01	0.45	5800	3600	10	29	105	104	38.0	43	76	53	0.80	3	3
BVGD - 02	0.70	5000	3350	12	38	120	120	38.0	55	76	53	0.80	4	4
BVGD - 03	1.50	4500	3350	16	42	144	127	44.5	60	89	60	0.80	5	5
BVGD - 04	2.20	3500	2600	16	58	172	159	51.0	85	102	60	0.80	9	8
BVGD - 05	3.40	3300	2400	16	58	190	178	51.0	84	102	80	0.80	11	13
BVGD - 07	4.90	3100	2200	16	65	197	190	57.0	95	114	80	0.80	16	17
BVGD - 08	7.00	2600	1900	25	80	222	222	63.5	115	127	80	0.80	20	19
BVGD - 09	9.40	2300	1700	25	95	254	245	70.0	140	140	81	0.80	27	27
BVGD - 10	13.80	2000	1600	25	110	276	267	89.0	160	178	81	1.60	43	39
BVGD - 11	26.50	1900	1500	38	104	295	324	102.0	153	204	129	1.60	54	47
BVGD - 13	33.90	1800	1300	50	124	324	336	101.5	185	202	148	1.60	63	67
BVGD - 14	48.90	1600	1300	50	124	336	381	101.5	180	202	148	1.60	72	74
BVGD - 15	67.50	1400	1100	50	148	375	381	114.0	220	228	148	1.60	104	108
BVGD - 17	93.60	1200	1000	50	170	425	425	127.0	250	254	148	1.60	149	149
BVGD - 20	179.00	1200	800	75	*157	432	501	140.0	#236	280	180	3.20	180	234
BVGD - 22	261.00	1100	700	85	*173	492	552	152.5	#260	304	180	3.20	216	318
BVGD - 25	5.55	1200	***	110	185	686	***	178	285.7	356	***	3.20	446	***
BVGD - 26	7.55	1050	***	135	210	781	***	203	324	406	***	3.20	578	***
BVGD - 27	10.55	900	***	145	242	876	***	228	368	456	***	6.35	910	***
BVGD - 28	17.55	800	***	155	265	1015	***	228	406	456	***	6.35	1605	***

B.V. Transmission Industries

Unit 18 , Khyati Industrial Estate,
Laxmi Nagar, Link Road , Goregaon West,
Mumbai - 400104, Maharashtra , India

Tel : +91- 22-28762345
Tel : +91- 22-28767941
☎ : +91- 93247 18035
☎ : +91- 98206 92004

email :: sales@bvchains.com
bvchain@gmail.com
web:: www.bvchains.com